

POWER FACTOR CONTROLLER

RX140/120/ 80/60

FEATURES

- Microprocessor based intelligent auto switching control
- Display of Cos ϕ , power factor, voltage, current and total harmonic distortion voltage/current
- Display power of Active (W), Reactive (var), Apparent (VA) and require var
- No voltage release function
- Automatic C/K and rated step adjustment
- Automatic CT polarity correction
- Programmable sensitivity
- Programmable alarm
- Last step can be used as alarm/fan output
- Alarm of under/over voltage, under/over compensate, step fault and high harmonic distortion
- Complies with IEC 61000-6-2 standard



SPECIFICATIONS

AUXILIARY SUPPLY

Supply Voltage	: 220~240 VAC / 380~415 VAC
Operating Limits	: -15% +10%
VA Rating	: 10VA max
Frequency	: 50Hz or 60Hz

OUTPUT CONTACT

Number of Outputs	: 6/8/12/14 (RX60/ RX80/RX120/RX140)
Contact Arrangement	: NO contact type
Rated Capacity	: 5A 250 VAC (Cos ϕ =1)
Max Current for the Common Terminals	: 12A continuous

CURRENT INPUT

Rated Current, In	: 5A
Operating Limits	: 0.05 -8A
Rated Frequency	: 50Hz or 60Hz

CONTROL RANGE

Power Factor Setting	: 0.8 inductive -0.8 capacitive
C/K Setting	: 0.02 -1.20/Auto
Switching Sensitivity	: 5 - 600 s/step
Reconnection Time for Same Step	: 5 - 240 s
THD Current Threshold	: 20 - 300%
THD Voltage Threshold	: 20 - 30%
Switching Program	: Off/Automatic/ Rotational/Manual Four-quadrant
Rated Step Coefficient	: 1 - 16/Fix/Off

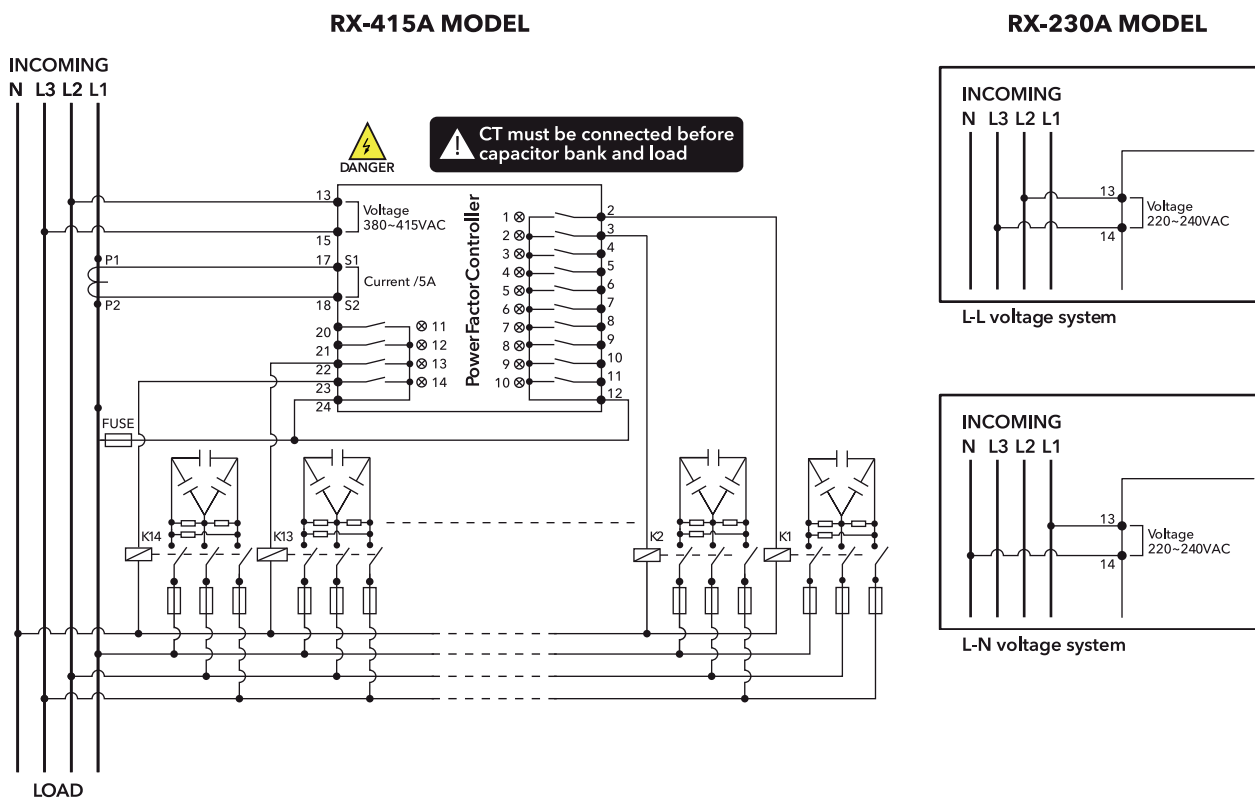
ENVIRONMENTAL CONDITION

Operating Temperature	: -5°C to 55°C
Humidity	: 56 days at 93% RH and 40°C non- condensing

MECHANICAL

Mounting	: Panel mounting
Dimension (mm)	: 144(w) x 144(h) x 91(d)
Enclosure Protection	: IP54 at the panel
Approximate Weight	: 1kg

TYPICAL APPLICATION DIAGRAM



ORDERING INFORMATION

MODEL	DESCRIPTION
RX60 -415A	6 steps, 50 or 60Hz system, auxiliary voltage 380~415VAC
RX80 -415A	8 steps, 50 or 60Hz system, auxiliary voltage 380~415VAC
RX120 -415A	12 steps, 50 or 60Hz system, auxiliary voltage 380~415VAC
RX140 -415A	14 steps, 50 or 60Hz system, auxiliary voltage 380~415VAC
RX60 -230A	6 steps, 50 or 60Hz system, auxiliary voltage 220~240VAC
RX80 -230A	8 steps, 50 or 60Hz system, auxiliary voltage 220~240VAC
RX120 -230A	12 steps, 50 or 60Hz system, auxiliary voltage 220~240VAC
RX140 -230A	14 steps, 50 or 60Hz system, auxiliary voltage 220~240VAC

CASE DIMENSION

